

Product Specifications

Robust, high quality yet affordable 3-section wind-up stand. Heavy duty model including double riser wind-up. Maximum aperture 1300mm, minimum height 1700mm, maximum height 3750mm. Net weight 22 kg, maximum load 32 kg.

Mechanical data

Paint/Finish	black epoxy powder paint
Maximum load	32 kg
Weight	22 kg
Body	Steel tubing, aluminium legs, die-cast headset
Locking knobs	strong grip nylon locking knobs
Key features	anti-slip aluminium feet

Packing

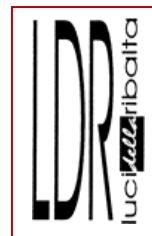
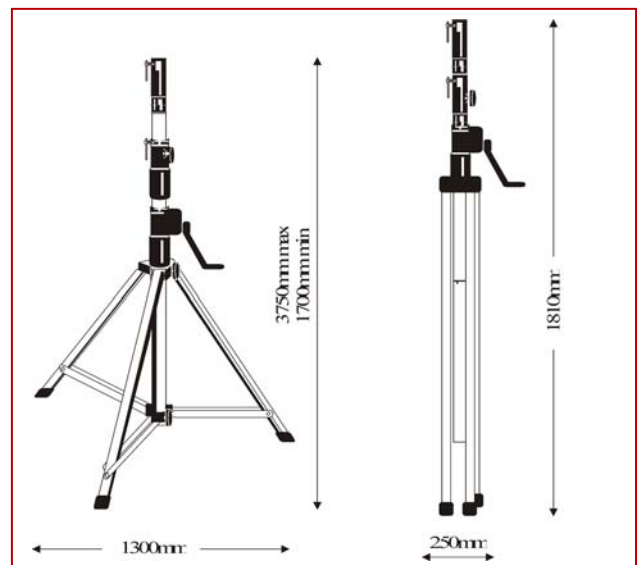
Each stand is supplied in single, robust cardboard packing.

Packed weight	7,8 kg
Packed volume	0,028 cbm
Packing dimensions	160x160x1120mm



Wind-up black stand

part number 20102501



Luci della Ribalta srl
Via berna 14
46042 Castel Goffredo (MN), Italy
tel: +39 0376 771777
fax: +39 0376 772140
www.ldr.it info@ldr.it

Issue: ap ©2005. LDR reserves the right to alter present specifications without prior notice.