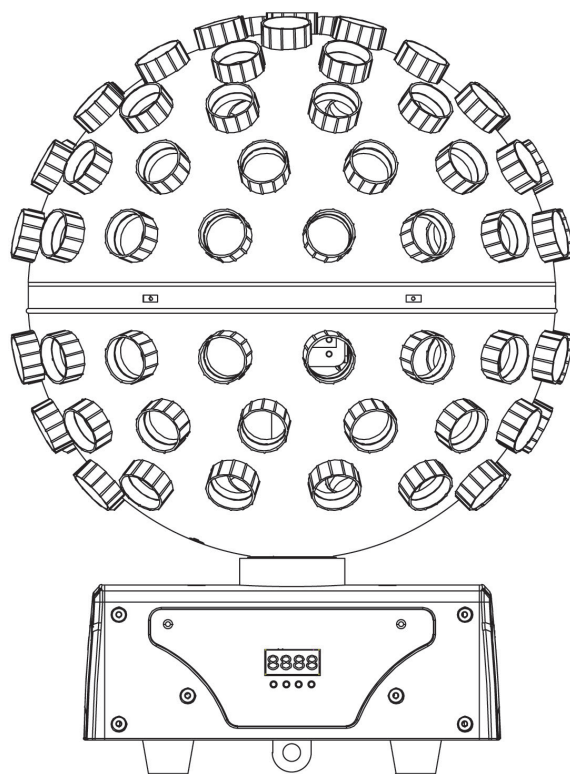




STARBURST



User Manual

©2020 ADJ Products, LLC all rights reserved. Information, specifications, diagrams, images, and instructions herein are subject to change without notice. ADJ Products, LLC logo and identifying product names and numbers herein are trademarks of ADJ Products, LLC. Copyright protection claimed includes all forms and matters of copyrightable materials and information now allowed by statutory or judicial law or hereinafter granted. Product names used in this document may be trademarks or registered trademarks of their respective companies and are hereby acknowledged. All non-ADJ Products, LLC brands and product names are trademarks or registered trademarks of their respective companies.

ADJ Products, LLC and all affiliated companies hereby disclaim any and all liabilities for property, equipment, building, and electrical damages, injuries to any persons, and direct or indirect economic loss associated with the use or reliance of any information contained within this document, and/or as a result of the improper, unsafe, insufficient and negligent assembly, installation, rigging, and operation of this product.

Europe Energy Saving Notice

Energy Saving Matters (EuP 2009/125/EC)

Saving electric energy is a key to help protecting the environment. Please turn off all electrical products when they are not in use. To avoid power consumption in idle mode, disconnect all electrical equipment from power when not in use. Thank you!

Unpacking: Thank you for purchasing the Starburst by ADJ Products, LLC. Every Starburst has been thoroughly tested and has been shipped in perfect operating condition. Carefully check the shipping carton for damage that may have occurred during shipping. If the carton appears to be damaged, carefully inspect your fixture for any damage and be sure all equipment necessary to operate the unit has arrived intact. In the event damage has been found or parts are missing, please contact our toll-free customer support number for further instructions. Please do not return this unit to your dealer without contacting customer support first.

Introduction: The Starburst is part of ADJ's continuing pursuit for creating and upgrading affordable intelligent fixtures. The Starburst is a DMX intelligent centerpiece. This fixture can be used as a stand alone piece or connected in a Primary/Secondary configuration. The Starburst has 3 operating modes: Sound Active, Show Mode, and DMX controlled. When using DMX control, the fixture has 12 DMX channels.

Customer Support: ADJ Products, LLC provides a toll free customer support line, to provide help and to answer any question should you encounter problems during your set up or initial operation. You may also visit us on the web at www.adj.com for any comments or suggestions. Service Hours are Monday through Friday 8:00 a.m. to 4:30 p.m. Pacific Standard Time.

Voice: (800) 322-6337
Fax: (323) 582-2941
E-mail: support@adj.com

To purchase parts online, visit parts.adj.com.

Warning! To prevent or reduce the risk of electrical shock or fire, do not expose this unit to rain or moisture.

Caution! There are no user serviceable parts inside this unit. Do not attempt any repairs yourself, doing so will void your manufacturer's warranty. In the unlikely event your unit may require service please contact ADJ Products, LLC.

Please carefully read and understand the instructions in this manual thoroughly before attempting to operate this unit. These instructions contain important safety information regarding the use and maintenance of this unit. Please keep this manual with the unit, for future reference.

The Starburst carries a 1 Year limited warranty. Please fill out the enclosed warranty card to validate your purchase. All returned service items, whether under warranty or not, must be freight pre-paid and accompany a return authorization (R.A.) number. If the unit is under warranty, you must provide a copy of your proof of purchase invoice. Please contact ADJ customer support for an R.A. number.

- Bright 15W 5-in-1 LED RGBWYP
- DMX-512 Compatible: 12 DMX Channels
- Stand Alone or Primary-Secondary Set Up
- 3 Operating Modes - Sound Active, Show Mode, & DMX Controlled
- Power Cord Daisy Chain up to 20 Fixture (See **Power Cord Daisy Chain** section)

- To reduce the risk of electrical shock or fire, do not expose this unit to rain or moisture.
- Do not spill water or other liquids into or on to your unit.
- Do not attempt to operate this unit if the power cord has been frayed or broken.
- Do not attempt to remove or break off the ground prong from the electrical cord. This prong is used to reduce the risk of electrical shock and fire in case of an internal short.
- Disconnect from main power before making any type of connection.
- Do not remove the cover under any conditions. There are no user serviceable parts inside.
- Never operate this unit when its cover is removed.
- Never plug this unit into a dimmer pack
- Always be sure to mount this unit in an area that will allow proper ventilation. Allow about 6” (15cm) between this device and a wall.
- Do not attempt to operate this unit if has been damaged.
- This unit is intended for indoor use only, use of this product outdoors voids all warranties.
- During long periods of non-use, disconnect the unit’s main power.
- Always mount this unit in safe and stable matter.
- Power-supply cords should be routed so that they are not likely to be walked on or pinched by items placed upon or against them, paying particular attention to cords at plugs, convenience receptables, and the point where they exit from the appliance.
- Cleaning - The fixture should be cleaned only as recommended by the manufacturer. See **Cleaning** section for cleaning details.
- Heat - The appliance should be situated away from heat sources such as radiators, heat registers, stoves, or other appliances (including amplifiers) that produce heat.
- The fixture should be serviced by qualified service personnel when:
 - A. The power-supply cord or the plug has been damaged.
 - B. Objects have fallen, or liquid has been spilled into, the appliance.
 - C. The appliance has been exposed to rain or water.
 - D. The appliance does not appear to operate normally or exhibits a marked change in performance.

Power Supply: The ADJ Starburst contains an automatic voltage switch, which will auto sense the voltage when it is plugged into the power source. With this switch there is no need to worry about the correct power voltage, this unit can be plugged in anywhere.

DMX-512: DMX is short for Digital Multiplex. This is a universal protocol used by most lighting and controller manufacturers as a form of communication between intelligent fixtures and controllers. A DMX controller sends DMX data instructions from the controller to the fixture. DMX data is sent as serial data that travels from fixture to fixture via the DATA “IN” and DATA “OUT” XLR terminals located on all DMX fixtures (most controllers only have a DATA “OUT” terminal).

DMX Linking: DMX is a language allowing all makes and models of different manufactures to be linked together and operate from a single controller, as long as all fixtures and the controller are DMX compliant. *To ensure proper DMX data transmission, when using several DMX fixtures try to use the shortest cable path possible. The order in which fixtures are connected in a DMX line does not influence the DMX addressing. For example, a fixture assigned a DMX address of 1 may be placed anywhere in a DMX line: at the beginning, at the end, or anywhere in the middle. Therefore, the first fixture controlled by the controller could be the last fixture in the chain. When a fixture is assigned a DMX address of 1, the DMX controller knows to send data assigned to address 1 to that unit, no matter where it is located in the DMX chain.*

Data Cable (DMX Cable) Requirements (For DMX and Primary/Secondary Operation): The Starburst can be controlled via DMX-512 protocol. The Starburst has 12 DMX channels. The DMX address is set electronically using the controls on the front panel of the unit. Your unit and your DMX controller require an approved DMX-512 110 Ohm Data cable for data input and data output (Figure 1). We recommend Accu-Cable DMX cables. If you are making your own cables, be sure to use standard 110-120 Ohm shielded cable (This cable may be purchased at almost all professional sound and lighting stores). Your cables should be made with a male XLR connector on one end of the cable and a female XLR connector on the other. Also remember that DMX cable must be daisy chained and cannot be split.



Figure 1

Notice: Be sure to follow figures two and three when making your own cables. Do not use the ground lug on the XLR connector. Do not connect the cable's shield conductor to the ground lug or allow the shield conductor to come in contact with the XLR's outer casing. Grounding the shield could cause a short circuit and erratic behavior.

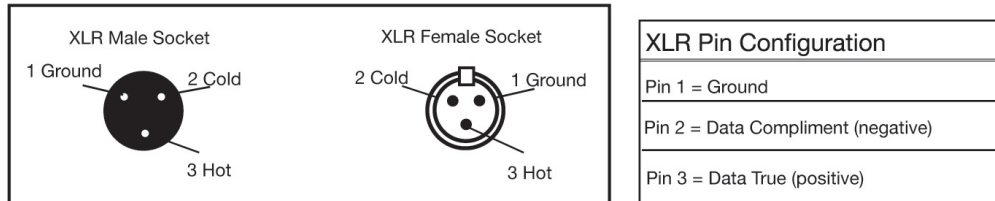
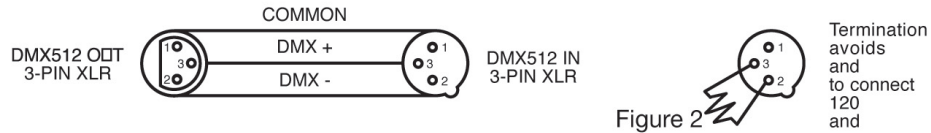
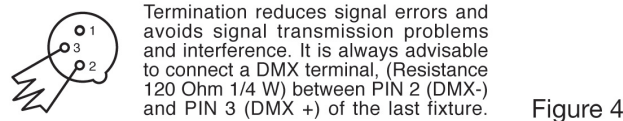


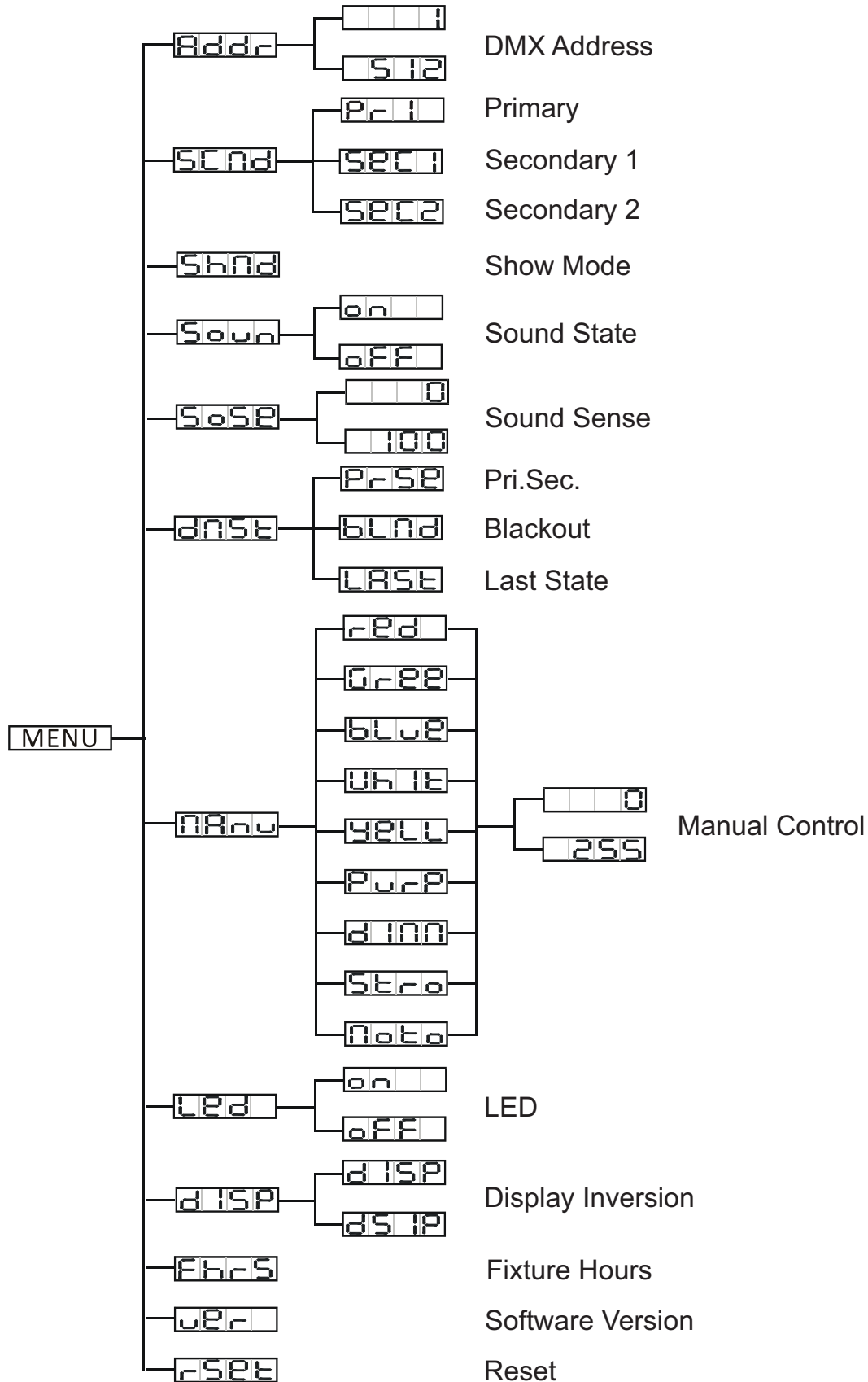
Figure 3

Special Note: Line Termination. When longer runs of cable are used, you may need to use a terminator on the last unit to avoid erratic behavior. A terminator is a 110-120 ohm 1/4 watt resistor which is connected between pins 2 and 3 of a male XLR connector (DATA + and DATA -). This unit is inserted in the female XLR connector of the last unit in your daisy chain to terminate the line. Using a cable terminator (ADJ part number **Z-DMX/T**) will decrease the possibilities of erratic behavior.



5-Pin XLR DMX Connectors. Some manufacturers use 5-pin DMX-512 data cables for DATA transmission in place of 3-pin. 5-pin DMX fixtures may be implemented in a 3-pin DMX line. When inserting standard 5-pin data cables in to a 3-pin line, a cable adaptor must be used. These adaptors are readily available at most electric stores. The chart below details a proper cable conversion.

3-Pin XLR to 5-Pin XLR Conversion		
Conductor	3-Pin XLR Female (Out)	5-Pin XLR Male (In)
Ground/Shield	Pin 1	Pin 1
Data Compliment (- signal)	Pin 2	Pin 2
Data True (+ signal)	Pin 3	Pin 3
Not Used		Pin 4 - Do Not Use
Not Used		Pin 5 - Do Not Use



System Menu: When making adjustments press **ENTER** to confirm your setup. To exit without making any adjustments press the **MODE** button. After 10 seconds, the display will return to the **DMX** address setting. Your operating mode will still continue to run despite the display showing the **DMX** address setting. The display will lock after 30 seconds, press the **MODE** button for 3 seconds to unlock.

Addr - DMX Address Setting. See **DMX Control** section for more information on **DMX Control**. To run **DMX** mode, you must first turn **AUTO** off. Please see **AUTO** below for instructions on how to turn **AUTO** mode off.

1. Press the either the **MODE** button until “Addr” is displayed, and press **ENTER**.
2. Press the **UP** or **DOWN** buttons to find your desired address. Press **ENTER** to set your desired **DMX** address.

SCNd - This will let you set the unit as a primary in a primary/secondary configuration.

1. Press the **MODE** button until “SCNd” is displayed. Press **ENTER**. Either “PRI”, “SEC1”, or “SEC2” will be displayed.
2. Press the **UP** or **DOWN** buttons until your desired setting is displayed, press **ENTER** to confirm.

ShNd - Show Mode.

1. Press the **MODE** button until “ShNd” is displayed, and press **ENTER**.
2. The unit will now operate in pre-programmed show mode.

SoSe - Sound sensitivity adjustment.

1. Press the **MODE** button until “SoSe” is displayed, and press **ENTER**.
2. Press the **UP** or **DOWN** buttons to adjust the sound sensitivity. Press **ENTER** when you have reached your desired setting.

dNSt - In the event that the DMX signal is lost, the fixture will default to the operating mode selected in this setting menu.

1. Press the **MODE** button until “dNSt” is displayed, and press **ENTER**.
2. Press the **UP** and **DOWN** buttons to select the desired setting.
 - A. “PrSe” - Defaults to primary/secondary mode. The unit will behave as defined in the primary/secondary configuration menu (“SCNd”).
 - B. “bLNd” - Defaults to standby mode.
 - C. “LAsT” - Defaults to most recently used settings.
3. Press **ENTER** to confirm your selection.

NAnu - Manual Control Mode. Allows the user to manually set the following from 0 to 255:

1. Press the MODE button until “NAnu” is displayed, and press ENTER.
2. Use the UP and DOWN buttons to scroll through the various functions. Once you have found your desired function, press ENTER to select. Available functions are:
 - A. “rEd” - Red
 - B. “GrEE” - Green
 - C. “bLuE” - Blue
 - D. “Uht” - White
 - E. “PurP” - Purple
 - F. “dINN” - Dimmer
 - G. “Stro” - Strobe
 - H. “Noto” - Motor Control
3. Use the UP and DOWN buttons to adjust the values for the selected function. Available values range from 0 to 255. Press the MENU button to exit to the main menu.

LEd - Allows the user to set the LED display screen to turn off after 10 seconds of inactivity.

1. Press the MODE button until “LEd” is displayed, and press ENTER.
2. Use the UP and DOWN buttons to toggle between ON and OFF. ON keeps the display screen on at all times, while OFF will turn the screen off after 10 seconds of inactivity.

dISP - Select the orientation of the display screen.

1. Press the MODE button until “dISP” is displayed, and press ENTER.
2. Use the UP and DOWN button to toggle between “dISP” (upright display orientation) and “dSIP” (inverted display orientation).
3. Press ENTER to confirm your selection.

FhrS - Display fixture hours.

1. Press the MODE button until “FhrS” is displayed, and press ENTER.
2. The screen will now display the number of operating hours.

vEr - Display software version.

1. Press the MODE button until “vEr” is displayed, and press ENTER.
2. The screen will display the current software version.

rSEt - Use this function to restore the unit to its factory settings.

1. Press the MODE button until “rSEt” is displayed, and press ENTER.
2. The unit will now reset to the default factory settings.

Universal DMX Control: This function allows you to use a universal DMX-512 controller to create unique programs tailored to your individual needs. **NOTE: AUTO Mode must be turned OFF before DMX control can be used. Please see System Menu section.**

- The Starburst is a 12-channel DMX fixture. See **DMX Values & Traits** section for a detailed description of DMX values and traits.
- To control your fixture in DMX mode, follow the set up procedures in the **Set Up** section of this manual, as well as the set up specifications that are included with your DMX controller.
- Use the controller's faders to control the various DMX fixture traits. This will allow you to create your own programs, as well.
- Follow the instructions shown in the **System Menu** section to set the DMX address.
- For longer cable runs (more than 100 feet), use a terminator on the last fixture.
- For help operating in DMX mode, consult the manual included with your DMX controller.

Primary-Secondary Operation. This function will allow you to link up to 16 units together and operate without a controller. In a Primary-Secondary set up one unit will act as the controlling unit and the others will react to the controlling units programs. Any unit can act as a Primary or as a Secondary.

1. Using approved DMX data cables, daisy chain your units together via the XLR connectors on the rear of each unit. Remember the male XLR connector is the input and the female XLR connector is the output. The first unit in the chain (primary) will use the female XLR connector only. The last unit in the chain will use the male XLR connector only. For longer cable runs, the use of a terminator on the last fixture is strongly recommended.
2. On the Primary unit, press the MODE button until "SCnd" is displayed and press ENTER. Press the UP or DOWN buttons so that "PRI" is displayed and press ENTER. The unit is now designated as the Primary. After you have designated it as the Primary, find and configure your desired operating mode.
3. On the secondary units press the MODE button until "SCnd" is displayed and press ENTER. Press the UP or DOWN buttons so that "SEC1 or SEC2" is displayed and press ENTER. Now set the secondary units to the desired DMX address setting. The secondary units will now follow the Primary.

Channel	Value	Function
1	0 - 255	Red , 0% - 100%
2	0 - 255	Green , 0% - 100%
3	0 - 255	Blue , 0% - 100%
4	0 - 255	White , 0% - 100%
5	0 - 255	Yellow , 0% - 100%
6	0 - 255	Purple , 0% - 100%
7		Strobing
	0 - 7	Off
	8 - 15	LED On
	16 - 131	Strobing, Slow to Fast
	132 - 139	LED On
	140 - 181	Slow Open - Fast Close
	182 - 189	LED On
	190 - 231	Fast Open - Slow Close
	232 - 239	LED On
	240 - 247	Random Strobe
	248 - 255	LED On
8	0 - 255	Master Dimmer , 0% - 100%
9		Rotation
	0 - 30	No Rotation
	31 - 140	Clockwise Rotation, Fast to Slow
	141 - 145	Stop
	146 - 255	Counter-Clockwise Rotation, Slow to Fast
10		Color Macros
	0 - 25	No Function
	26 - 205	Color Macros
	206 - 255	Color Changing, Fast to Slow

CONTINUED ON NEXT PAGE

Channel	Value	Function
11		<i>Pan/Color Macros</i>
	0 - 55	No Function
	56 - 75	Sound Active
	76 - 105	Red Clockwise Rotation
	106 - 135	Blue Counter-Clockwise
	136 - 165	7 Color Change Clockwise Rotation
	166 - 195	7 Color Change Counter-Clockwise Rotation
	196 - 225	7 Color Change with Strobe Clockwise Rotation
	226 - 255	7 Color Change with Strobe Counter-Clockwise Rotation
12		<i>Reset</i>
	0 - 69	No Function
	70 - 85	Reset
	86 - 255	No Function

Starburst

Power Cord Daisy Chain

With this feature you can connect the fixtures to one another using the IEC input and output sockets. The maximum quantity that can be connected is 20 fixtures. After the maximum fixture count has been reached you will need to use a new power outlet. They must be the same fixture model. DO NOT mix fixture models.

Starburst

Fuse Replacement

The fuse holder is located next to the I.E.C. plug input. Using a phillips head screwdriver, unscrew the fuse holder and remove it from the unit. Remove the bad fuse and replace it with a new identical fuse. Insert the fuse holder back into the unit and screw the holder in so that is secure.

Starburst

Cleaning

Fixture Cleaning: Due to fog residue, smoke, and dust, cleaning the internal and external optical lenses and mirror should be carried out periodically to optimize light output. Cleaning frequency depends on the environment in which the fixture operates (i.e. smoke, fog residue, dust, dew). In heavy club use, cleaning on a monthly basis is recommended. Periodic cleaning will ensure longevity and crisp output.

1. Use normal glass cleaner and a soft cloth to wipe down the outside casing.
2. Use a brush to wipe down the cooling vents and fan grill.
3. Clean the external optics with glass cleaner and a soft cloth every 20 days.
4. Clean the internal optics with glass cleaner and a soft cloth every 30-60 days.
5. Always be sure to dry all parts completely before plugging the unit back in.

MANUFACTURER'S WARRANTY

- A. ADJ Products, LLC hereby warrants, to the original purchaser, ADJ Products, LLC products to be free of manufacturing defects in material and workmanship for a prescribed period from the date of purchase (see specific warranty period on reverse). This warranty shall be valid only if the product is purchased within the United States of America, including possessions and territories. It is the owner's responsibility to establish the date and place of purchase by acceptable evidence, at the time service is sought.
- B. For warranty service you must obtain a Return Authorization number (RA#) before sending back the product—please contact ADJ Products, LLC Service Department at 800-322-6337. Send the product only to the ADJ Products, LLC factory. All shipping charges must be pre-paid. If the requested repairs or service (including parts replacement) are within the terms of this warranty, ADJ Products, LLC will pay return shipping charges only to a designated point within the United States. If the entire instrument is sent, it must be shipped in its original package. No accessories should be shipped with the product. If any accessories are shipped with the product, ADJ Products, LLC shall have no liability whatsoever for loss of or damage to any such accessories, nor for the safe return thereof.
- C. This warranty is void if the serial number has been altered or removed; if the product is modified in any manner which ADJ Products, LLC concludes, after inspection, affects the reliability of the product; if the product has been repaired or serviced by anyone other than the ADJ Products, LLC factory unless prior written authorization was issued to purchaser by ADJ Products, LLC; if the product is damaged because not properly maintained as set forth in the instruction manual.
- D. This is not a service contract, and this warranty does not include maintenance, cleaning or periodic check up. During the period specified above, ADJ Products, LLC will replace defective parts at its expense with new or refurbished parts, and will absorb all expenses for warranty service and repair labor by reason of defects in material or workmanship. The sole responsibility of ADJ Products, LLC under this warranty shall be limited to the repair of the product, or replacement thereof, including parts, at the sole discretion of ADJ Products, LLC. All products covered by this warranty were manufactured after August 15, 2012, and bear identifying marks to that effect.
- E. ADJ Products, LLC reserves the right to make changes in design and/or improvements upon its products without any obligation to include these changes in any products theretofore manufactured.

No warranty, whether expressed or implied, is given or made with respect to any accessory supplied with products described above. Except to the extent prohibited by applicable law, all implied warranties made by ADJ Products, LLC in connection with this product, including warranties of merchantability or fitness, are limited in duration to the warranty period set forth above. And no warranties, whether expressed or implied, including warranties of merchantability or fitness, shall apply to this product after said period has expired. The consumer's and/or Dealer's sole remedy shall be such repair or replacement as is expressly provided above; and under no circumstances shall ADJ Products, LLC be liable for any loss or damage, direct or consequential, arising out of the use of, or inability to use, this product. This warranty is the only written warranty applicable to ADJ Products, LLC Products and supersedes all prior warranties and written descriptions of warranty terms and conditions heretofore published.

MANUFACTURER'S LIMITED WARRANTY PERIODS

- **Lighting Products** = 1-year (365 days) Limited Warranty (Such as: Special Effect Lighting, Intelligent Lighting, UV lighting, Strobes, Fog Machines, Bubble Machines, Mirror Balls, Par Cans, Trussing, Lighting Stands etc. excluding LED and lamps)
- **Laser Products** = 1 Year (365 Days) Limited Warranty (excluding laser diodes which have a 6 month limited warranty)
- **L.E.D. Products** = 2-year (730 days) Limited Warranty (excluding motors, PCB boards, and power supplies, which have a 1-year (365 day Limited Warranty) batteries which have a 180 day limited warranty). Only the L.E.D.s carry a 2-year warranty (excluding StarTec Series which carries a 1 Year Limited Warranty)
- **ADJ DMX Controllers** = 2 Year (730 Days) Limited Warranty (excluding faders and tact switches)

Model:	Starburst
Voltage:	100V~240V / 50~60 Hz
LEDs:	5 x 15W 6-in-1 HEX LED
Power Consumption:	55W
Power Cord Daisy Chain:	20 Fixtures Max.
Colors:	RGBWYP
Beam Angle:	1 Degree
Dimensions:	12.5" (L) x 12.5" (W) x 16.25" (H) 318mm x 318mm x 412.5mm
Weight:	8 Lbs / 3.65 Kgs
Fuse:	2 Amp
Duty Cycle:	None
DMX:	12 DMX Channels
Working Position:	Any Safe, Secure Position
Warranty:	1 Year (365 days)

Auto Sensing Voltage: This fixture contains an automatic voltage switch, which will auto sense the voltage when it is plugged into the power source.

Please Note: Specification and improvements in the design of this unit and this manual are subject to change without any prior written notice.

Follow Us On:



facebook.com/americanandj
twitter.com/americanandj
youtube.com/adjlighting

ADJ Products LLC
 6122 S. Eastern Ave. Los Angeles, CA, 90040 USA
 Tel: 323-582-2650 / Fax: 323-725-6100
 Web: www.adj.com / E-mail: info@adj.com

A.D.J. Supply Europe B.V.
 Junostraat 2
 6468 EW Kerkrade
 Netherlands
service@adjgroup.eu / www.adj.eu
 Tel: +31 45 546 85 00 / Fax: +31 45 546 85 99

